

- 46-49
Bevel Valve
- 50-53
Right Angle Valve

➤ Bevel Valve

RJQ22

There is automatic adjustable seal gland bush between overflow outlet and slide block.

The bevel structure have big flow rate, no water hammer, no noise and credible seal performance.



Ordering Code

R	JQ	22	□	□	□	□
RFS product	Angle seat valve code	Two way two position	Actuator material code S stainless steel Blank aluminium P Plastic	Select actuator size Φ40 Φ50 Φ63 Φ80 Φ100	Connection size 10 15 25 32 40 50 65	S single acting type D double acting type K normally open

Remark: Normally open: flow comes under piston seal, against arrow on body.

Design character

- Can see the position indication.
- Easy to install.
- Actuator adopt low abrasion piston structure, big capacity and low wastage.
- There is lubricative for inner parts, no need maintenance.
- The actuator material have stainless steel and aluminium.
- Long life for the piston pole, PTFE seal, avoid the reif come in.
- No water hammer affect, when the liquid flowed from valve underside, the water hammer will be absorbed.

Angle seat valve

Specification

Orifice: DN15-DN50

Thread: G3/8" -G2 1/2"

Valve material: stainless steel 304 / 316

Actuator material: aluminium or stainless steel

Valve core seal: PTFE

Valve stem seal: PTFE / FKM

Applicable medium: water, liquid, natural gas, water steam, slight corrosive gas.

Medium temperature: -10°C ~180°C

Environment temperature: -10°C ~60°C

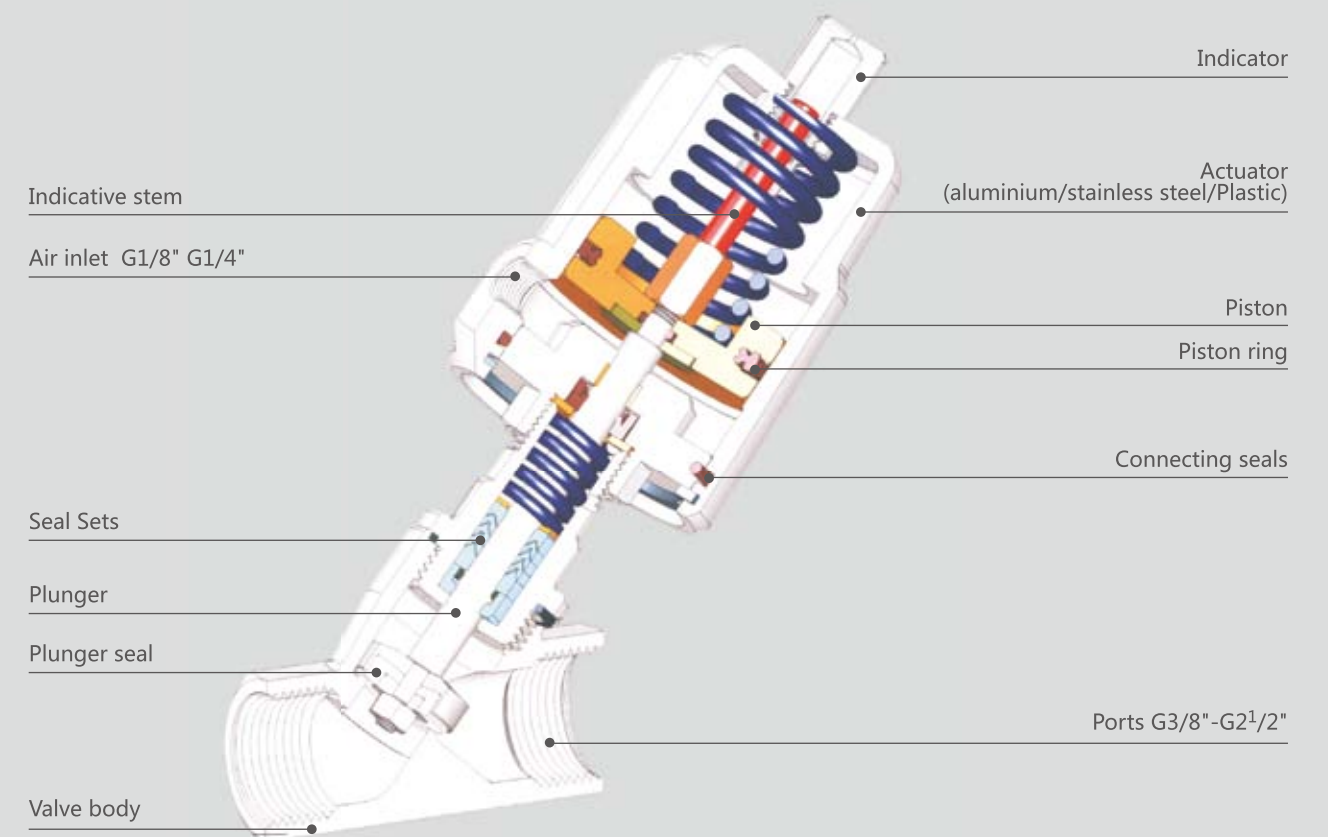
Viscosity: max. 600 mm² / S

Installation: any position

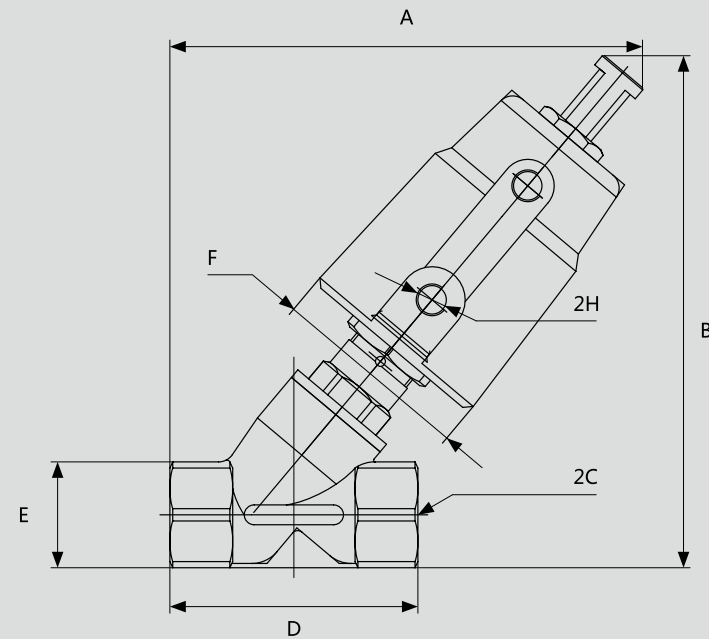
Controlling medium: air or neutral gas

Controlling pressure range: 0.3~1Mpa

Liquid working pressure: 0~1.6Mpa



Overall dimension



Model	Actuator size	A	B	C	D	E	F	H
RJQ22S40-10	40mm	127.5	136	G3/8"	68.5	27	50	G1/8"
RJQ22S50-10	50mm	140	150	G3/8"	68.5	27	60.5	G1/8"
RJQ22S40-15	40mm	127.5	136	G1/2"	68.5	27	50	G1/8"
RJQ22S50-15	50mm	140	150	G1/2"	68.5	27	60.5	G1/8"
RJQ22S50-20	50mm	143	155	G3/4"	75	32	60.5	G1/8"
RJQ22S50-25	50mm	163.5	176	G1	90	39	60.5	G1/8"
RJQ22S63-25	63mm	174.5	189.5	G1	90	39	77	G1/8"
RJQ22S63-32	63mm	190.5	207.5	G1-1/4"	117	50	77	G1/8"
RJQ22S63-40	63mm	190.5	207.5	G1-1/2"	117	55	77	G1/8"
RJQ22S63-50	63mm	219.5	232.5	G2"	145	70	77	G1/4"
RJQ22S80-50	80mm	233	253	G2"	145	70	98	G1/4"
RJQ22S100-65	100mm	270	290.5	G2-1/2"	170	85	116	G1/4"

Technical specification

Model	Working pressure	Orifice (mm)	Actuator size (mm)	Kv value (m ³ /k)	180°C Max. pressure	Single action normal close (MPa)		Double action normal close (MPa)		Double acting control pressure (MPa)	
						Pressure range	Control pressure	Pressure range	Control pressure	Double acting assistant	Liberty state
RJQ22S40-10	1.6MPa	13mm	40mm	3.7	1.6MPa	0-1.6	≥ 0.4			≥ 0.4	0-0.2
RJQ22S50-10		13mm	50mm	3.7		0-1.6	≥ 0.3	0-1.6	0.3	≥ 0.3	0-0.1
RJQ22S40-15		13mm	40mm	4.2		0-1.6	≥ 0.4			≥ 0.4	0-0.2
RJQ22S50-15		13mm	50mm	4.2		0-1.6	≥ 0.3	0-1.6	0.3	≥ 0.4	0-0.1
RJQ22S50-20		18mm	50mm	9.0		0-1.6	0.3-0.4	0-1.6	0.3	0.3-0.4	0-0.2
RJQ22S50-25		22mm	50mm	18.5		0-1.6	0.3-0.55			0.3-0.55	0-0.35
RJQ22S63-25		22mm	63mm	18.5		0-1.6	0.3-0.35	0-1.6	0.35	0.3-0.35	0-0.2
RJQ22S63-32		31mm	63mm	36.5		0-1.6	0.3-0.5	0-1.4	0.4	0.3-0.5	0-0.4
RJQ22S63-40		35mm	63mm	42		0-1.6	0.3-0.6	0-1.1	0.4	0.3-0.6	0-0.5
RJQ22S63-50		45mm	63mm	54.6		0-1.0	0.3-0.65	0-1.6	0.4	0.3-0.65	0-0.8
RJQ22S80-50		45mm	80mm	54.6		0-1.6	0.3-0.65	0-1.2	0.4	0.3-0.65	0-0.5
RJQ22S100-65		58mm	100mm	90		0-1.6	0.3-0.65	0-1.2	0.4	0.3-0.65	0-0.4

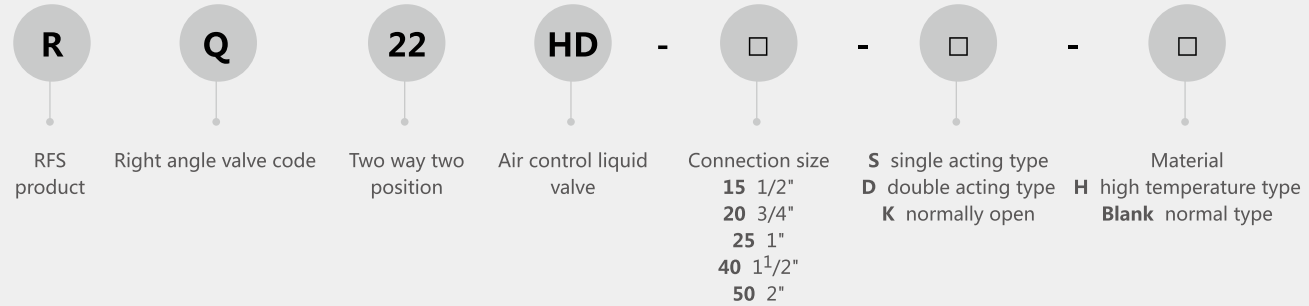
➤ Right angle valve

RQ22HD

Classical design, durable
Air control design, energy saving and environmental protection
Big flow rate, safety and Precision



Ordering Code



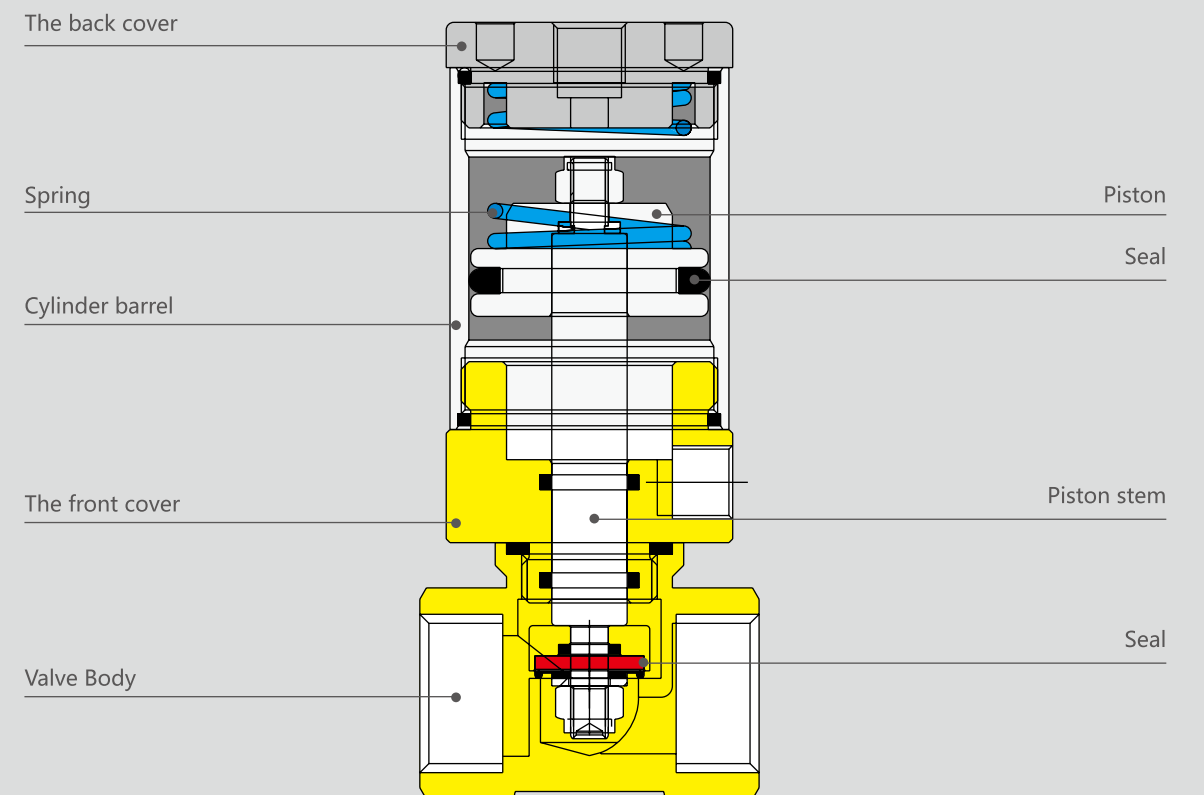
Remark: Normally open: Flow comes under the piston seal, against arrow on body.

Pneumatic control valve

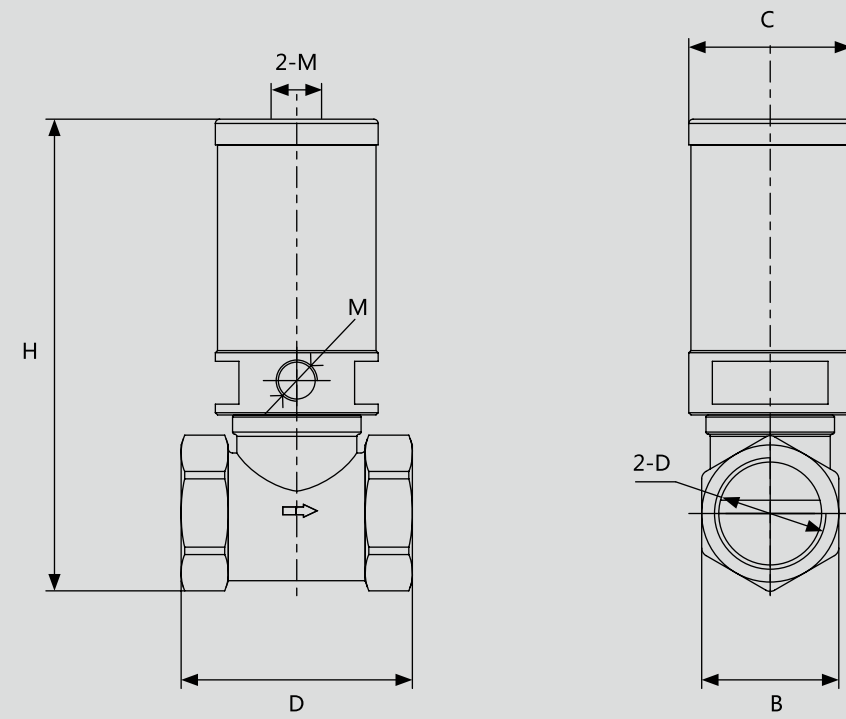


Features

Can work at low pressure, smartness for on and off, good seal performance. There are two kinds of structure single acting type and double acting type.
Application: food, medicine, industry, abstersion, landification, printing, etc.



外形尺寸



Model	A	B	C	D	H	M
RQ22HD-15	46	26	30	G1/2"	96	G1/8"
RQ22HD-20	54	32	37	G3/4"	107	G1/8"
RQ22HD-25	66	34	37	G1"	118	G1/8"
RQ22HD-40	80	53	65	G1-1/2"	162	G1/8"
RQ22HD-50	105	66	78	G1/8"	180	G1/4"

Model	Orifice	Media	Working pressure	Control pressure	Temp range	Kv value (m3/k)
RQ22HD-15	13mm	Compress Air Water Oil	0-0.8MPa	0.4-0.8MPa	0.5-60°C 0.5-150°C (High temp)	4
RQ22HD-20	16mm					5
RQ22HD-25	22mm					10
RQ22HD-40	35mm					25
RQ22HD-50	45mm					40